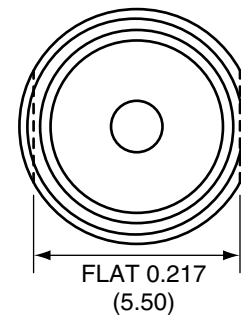
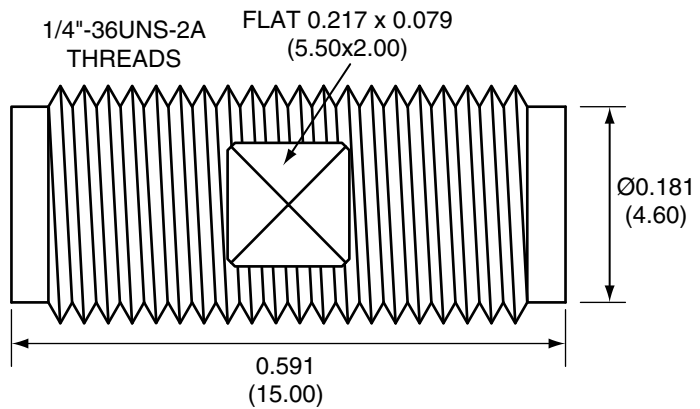


1		
Description	Material	Finish
Body	Brass	Nickel
Socket	BE CU	Gold
Insulation	Teflon	Teflon



Title SMA FEMALE TO SMA FEMALE ADAPTOR		CONNECTOR CITY 159 ORT LANE MERLIN, OR 97532 PH (541)-471-6256 FAX (541)-471-6251	
Part No.	ADP-SMAF-SMAF	Revision:	1.0
Dimensions:	INCHES (mm)	Date:	6/2/2006
		Sheet 1 of 1	

CONNECTOR CITY
THE VALUE OF CONNECTIONS